

Range Systems has been an industry-leading solution provider of live fire facilities since 1994. Our team has an extensive history of engineering, fabricating and installing superior performing Encapsulator BlocTraps worldwide. We have set the standard for range safety, unique capabilities and unmatched ballistic performance within our bullet trap solutions.

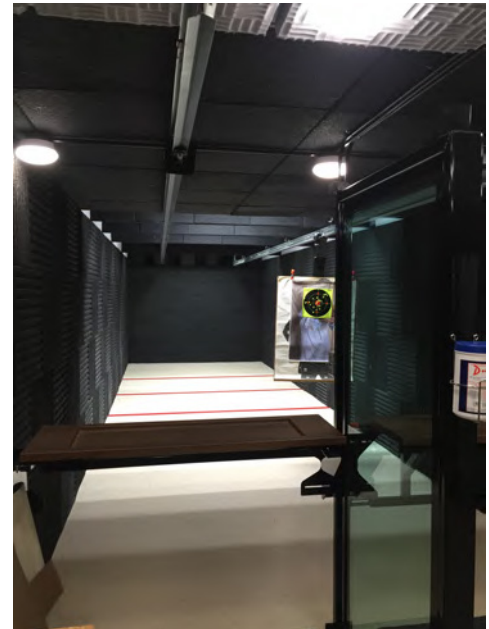
At Range Systems, we understand that every project is unique and requires thoughtful planning and consideration. Through decades of experience our team is ready to work with you in selecting the right model and size of BlocTrap to meet your needs.

Product Overview

The rifle rated Encapsulator™ Bloc Bullet Trap is constructed of 3/8" AR500 plate steel and ballistic rubber Dura-Panel™ adhered directly to the front side of the steel wall surface. Dura-Bloc™ ballistic rubber blocks stack in vertical rows in front of the steel and Dura-Panel™ wall where each vertical row is held in place with an adjustable clamping compression system. The Bloc Trap and all attached components are rated for rifle rounds up to .308/7.62mm and all handgun rounds. This trap can be mounted against a solid wall or freestanding and is ideal for both indoor and outdoor applications.

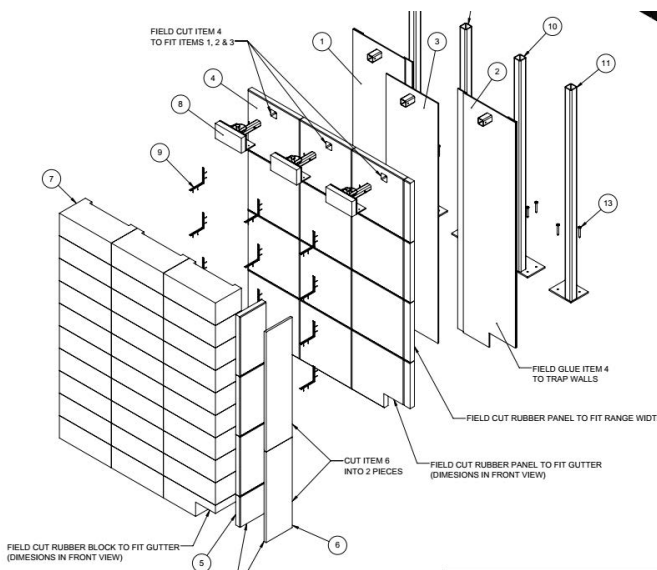
Key Features & Benefits

- Stops rounds up to .308/7.62mm caliber with a small footprint trap at less than 16" in depth. This allows you to maximize your space increasing your target distance
- Reduces airborne lead particles because the rounds are entirely encapsulated without fragmentation
- Minimizes the hazards of ricochet and back-splatter, providing a safer, cleaner and quieter range environment
- Modular design can be bolted to existing walls or installed free-standing. All materials can be conveyed through standard door openings for installation.
- Each Dura-Bloc is individually replaceable which allows the user to self perform maintenance.
- Designed for indoor and outdoor ranges
- Due to its modular nature, it can be customized to fit into almost any space.

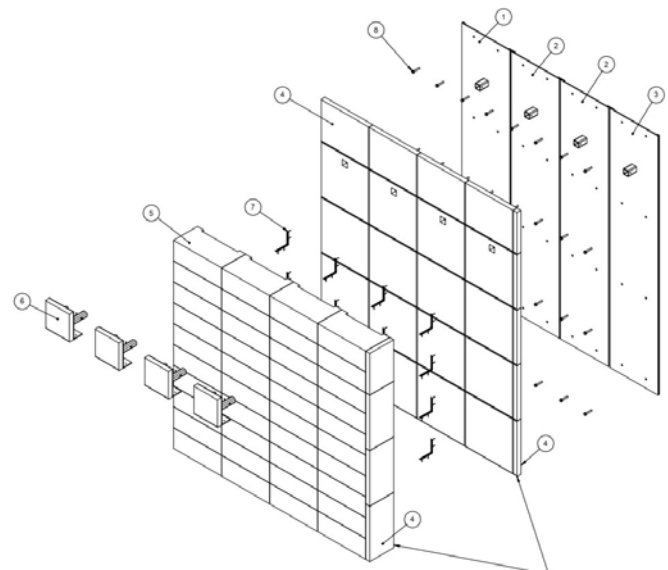


Range Systems Encapsulator™ BlocTrap has been successfully fielded for more than 20 years. Dura-Bloc™ and Dura-Panel™ patented rubber composite products offer ballistic capabilities no other material can match. Dura-Bloc™ and Dura-Panel™ are licensed and manufactured under US Patent No. 5,316,708 (NSN 9320-01-565-6156)

Freestanding Installation



Concrete/Solid Wall Installation



Specifications

- BlocTrap is manufactured to capture handgun and rifle rounds up to .308/7.62mm, encapsulates projectiles fired from low angle or close range that have a muzzle velocity exceeding 600 feet per second
- Tracer or incendiary rounds are NOT permitted.
- Trap assembly includes 3/8 inch (9.5 mm) thick AR500 steel back plate clad with 2 inch thick (51 mm) Dura-Panel™ anti-ricochet rubber tile. A series of Dura-Bloc™ ballistic rubber blocks are positioned relative to the direction of incoming rounds and secured in place by a proprietary compression system installed on top of the trap assembly and protected with a ballistic faceplate.
- The self-healing properties of Dura-Bloc™ ballistic rubber close up the bullet's path after the round has penetrated the surface so each bullet is encapsulated inside the Dura-Bloc™ ballistic rubber material.
- Encapsulates standard handgun and frangible rounds and will defeat armor piercing and non-armor piercing, with appropriate steel plate backing and Dura-Bloc™ ballistic rubber.
- Trap assembly is modular in design to allow installation to a wall structure or as a free-standing assembly.
- Full trap assembly provides a footprint depth of approximately 16 inches (406 mm). Weight is approximately 700 lbs per linear foot for a 9 foot height wall.
- Formulated rubber ballistic material will be a mixture of modified high density composite rubber based particles and bonding agents, cold molded under high pressure to form dimensionally stable ballistic panels and blocks.
- Product has been tested and approved through the research and development unit for materials and equipment for the US Army, Combat applications group, Fort Bragg, NC

Ballistic rubber alone does not stop or defeat the round and must be used with appropriate steel plate backing to create the Encapsulator™ BlocTrap.